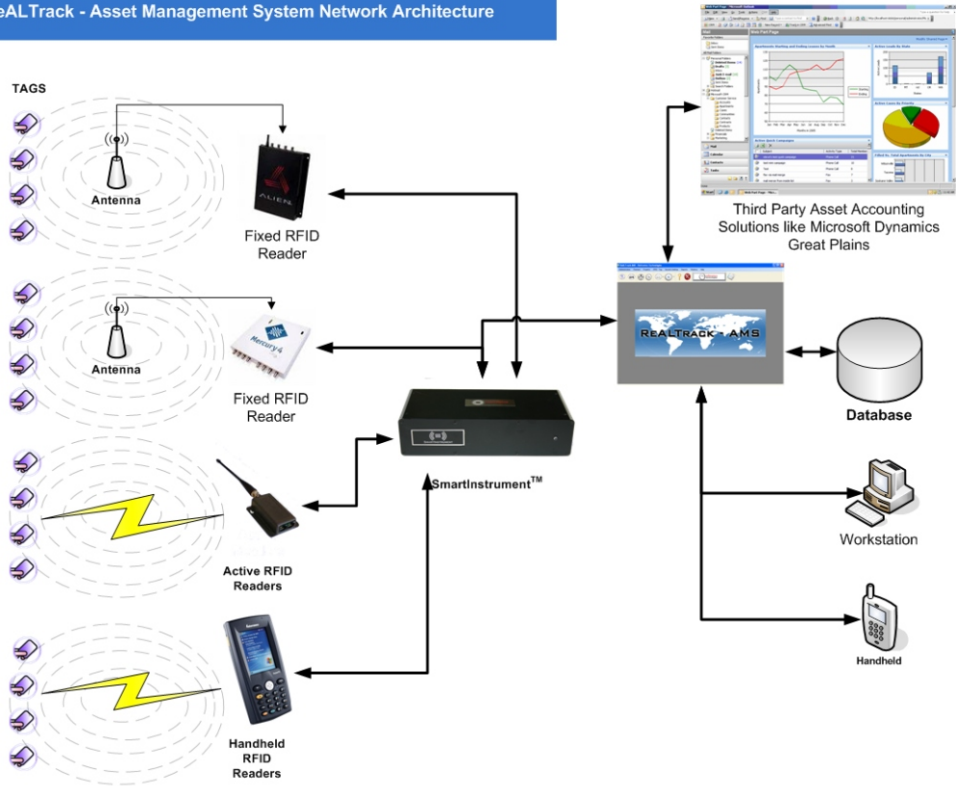


- +** Add Values
- Reduce Overhead
- ÷** Re-Engineer the Business Process
- ×** Multiply Returns On Investment
- ?** Ask us how

**ReALTrack - Asset Management System Network Architecture**



© Reltronics Technologies

## ReALTrack-AMS

Tracking assets is an important focus of many small, medium, and large corporations. Assets are any objects that a business utilizes internally. Asset tracking is not limited to computers, tools, software, or office equipment. While employees may have the facility to utilize a specific tool or device, the asset ultimately belongs to the company and must be managed for its safe return or disposition. Without an accurate method of keeping track of these assets, the cost of adding additional assets may become overwhelming for a company.

With the advancements in technology, the asset tracking software, ReALTrack-AMS offered by Reltronics Technologies, facilitates any size of business to track valuable assets such as equipment and supplies.

ReALTrack-AMS allows companies to track the status of the company assets, location of the assets, and also the asset movement schedule along with the information about the asset possession and maintenance record. As a result, companies reduce expenses through loss prevention and improved equipment maintenance. ReALTrack-AMS also has built-in methods for calculating depreciation of assets.

### ReALTrack-AMS addresses the following:

- The count of the assets in the organization
- The value of the assets
- Asset utilization
- Asset owner
- Asset location
- Differentiation between temporary and permanent assets
- Asset usage
- Correlation of assets to visitors
- Correlation of assets to employees
- Visitor inflow and outflow
- Asset ingress and egress
- Inventory management and tracking
- Multiple methods of calculating asset depreciation

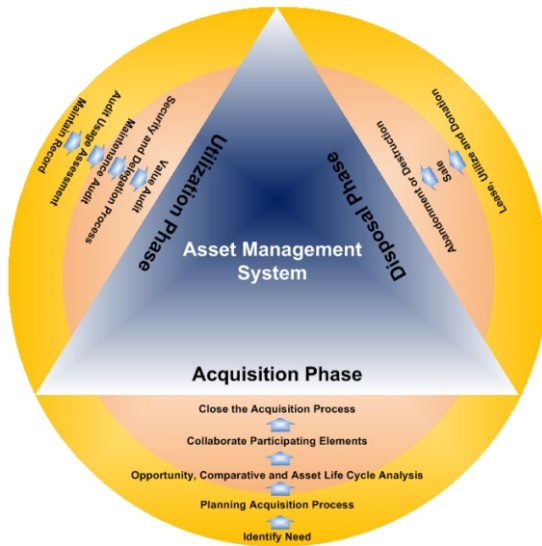
As an example, inventory is always expensive to maintain since it impacts the bottom line. ReALTrack-AMS RFID technology provides assistance in monitoring the asset movement and triggering alerts. Generally, passive and active RFID tags are placed on the assets to be tracked, and are sensed with an RFID reader and software.



ReALTrack-AMS enables location detection and movement of assets.

ReALTrack-AMS follows a complete asset management life cycle to provide a better solution for tracking the assets. Further, it is integratable with many industry enterprise systems, including SAP, Microsoft Business Solutions, JD Edwards, etc.

**Asset Management System Life Cycle**



**Representative examples of simultaneously tracked assets using ReALTrack-AMS:**

- Office and medical equipments
- Pieces of record evidence for a trial
- Educational and library materials
- Vehicles and vehicle peripherals
- Software licenses
- Videos
- Tools and instruments
- Museum artifacts
- Computer equipment
- Laboratory equipment
- Laboratory supplies
- Personnel
- Animals

Along with industrial and commercial businesses, government, educational agencies, and the healthcare industry have gradually started utilizing ReALTrack-AMS to reduce the costs and improve the efficiency.

ReALTrack-AMS has been designed for several types of scanning environments:

- **Heavy Scanning** - Businesses with very large amount of assets
- **Moderate Scanning** - Common assets in offices and warehouses
- **Standard Scanning** - Light duty asset monitoring

Reltronics Technologies integrates all the readers available in the market and enables various functionalities of the application such as AMS, RMS, ReALTagCoder, SmartMobile and ReALTrack-Locator. The SmartInstrument™ is a versatile middleware which supports the following readers:

- ✓ Intermec IP4
- ✓ Intermec IF5
- ✓ Motorola Symbol MC9000
- ✓ Motorola Symbol MC9090
- ✓ Motorola Symbol XR400
- ✓ Alien ALR9800
- ✓ Psion 7435 Gen 2
- ✓ WaveTrend RS-232
- ✓ WaveTrend TCP/IP
- ✓ ThingMagic M4
- ✓ ThingMagic M4e/h
- ✓ ThingMagic M5e/h
- ✓ Intellex Family of readers

The versatility of SmartInstrument™ enables it to be the most efficient, plug and play RFID middleware and the ReALTrack-AMS application allows implementation of better control for a successful operation of any business, large or small.

© Reltronics Technologies

**Benefits of ReALTrack-AMS**

Implementation of ReALTrack-AMS provides many benefits as follows:

**Collect and manage the data using sensor based network:** ReALTrack-AMS assists in obtaining real-time data using sensor based network and informs the location of assets.

**Improve visibility of assets in the supply chain:** ReALTrack-AMS provides information on products as it traverses through various stages of the supply chain interconnecting disparate RFID handheld devices and fixed readers with the SmartInstrument™.

**Meet compliance mandates of customers:** ReALTrack-AMS provides full customization according to the customer mandate and enables identifying opportunities of better utilization of assets.

**Improve asset tracking and inventory control across multiple facilities:** ReALTrack-AMS provides an integrated environment between various facilities using the SmartInstruments which can communicate with each other.

**Reduce labor cost and human error with automatic asset tracking technology:** ReALTrack-AMS collects the data from various access points, stores and shares the data in real-time between shareable resources. It enables implementation of preventative actions by eliminating procedural mitigation, human errors, labor overheads and time spent in data collection.

**Provide secured management of valuable assets:** ReALTrack-AMS reduces the risk of counterfeiting and mismanagement of resources of the organization and provides timely reports on the existing assets and raises alarms on unauthorized usage of the particular asset as mandated.

**Provide a value of assets for valuation system to know:** ReALTrack-AMS facilitates appropriate depreciation calculation as per the inputs provided by the users and reports the value of assets for each period, so that organizations can view the bottom line.

**Monitor all assets across the globe:** ReALTrack-AMS monitors RFID-based and non-RFID-based assets and enables cross-linking technologies with GSM and GPS capabilities.



**Copyrights**

©2007 Reltronics Technologies. All product names and logos are Reltronics Technologies trademarks, and Reltronics Technologies and the Reltronics Technologies logo are registered trademarks of Reltronics Technologies. All rights reserved. All other trademarks are property of their respective owners.